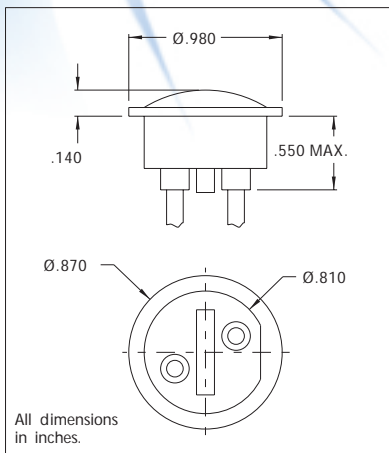


2620K and 2622K Series Non-Relampable Neon Indicator Light

DESCRIPTION AND FEATURES



All dimensions in inches.

Mounting: Supplied with speednut SN2089.
 Mounting hole pattern on page SP2.

Wire Leads: No.22 AWG (105°C),
 4.40/4.80 long, stripped .430/.570

Lens: Polycarbonate

Bezel: White nylon.
 For black finish add "X" after the series letter(s).

Housing: White Nylon

Lens Color	Neon
	Model No. (105-125VAC) Wire Leads
Red	2620K 1
Amber	2620K 3
White	2620K 3
Green	2622K 5*
Lamp used	C 2A+Resistor

*Incorporates G2B lamp and resistor
 Underwriters Laboratories (UL) File No. E20325
 Canadian Standards Association (CSA) File No. LR13346